

# HXJQ<sup>®</sup>

China Largest Mining Machinery  
Manufacturer

*Operating Instruction*

# CONE CRUSHERS



**Henan Hongxing Heavy Machinery Co., Ltd.**

## The Main Types and Function of Cone Crushers:

This series of crusher machine is divided into three types, namely coarse cone crusher, medium cone crusher and fine cone crusher, and the standard type is suitable for medium crushing; the medium

type and the short-headed type is suitable for fine crushing, so that the customers can choose different types according specific need.

Eccentric and thrust roller bearings create cam and lever crushing action.

Large crusher feed opening yields high performance.

Dynamic Adjust™ system allows fast adjustments and remote control.

Labyrinth seal and piston ring provide a dual sealing system, keeping oil clean and reducing wear.

Maintenance-free overload relief manifold and valve.

Internal counterweights enable the crusher to be balanced at all times.

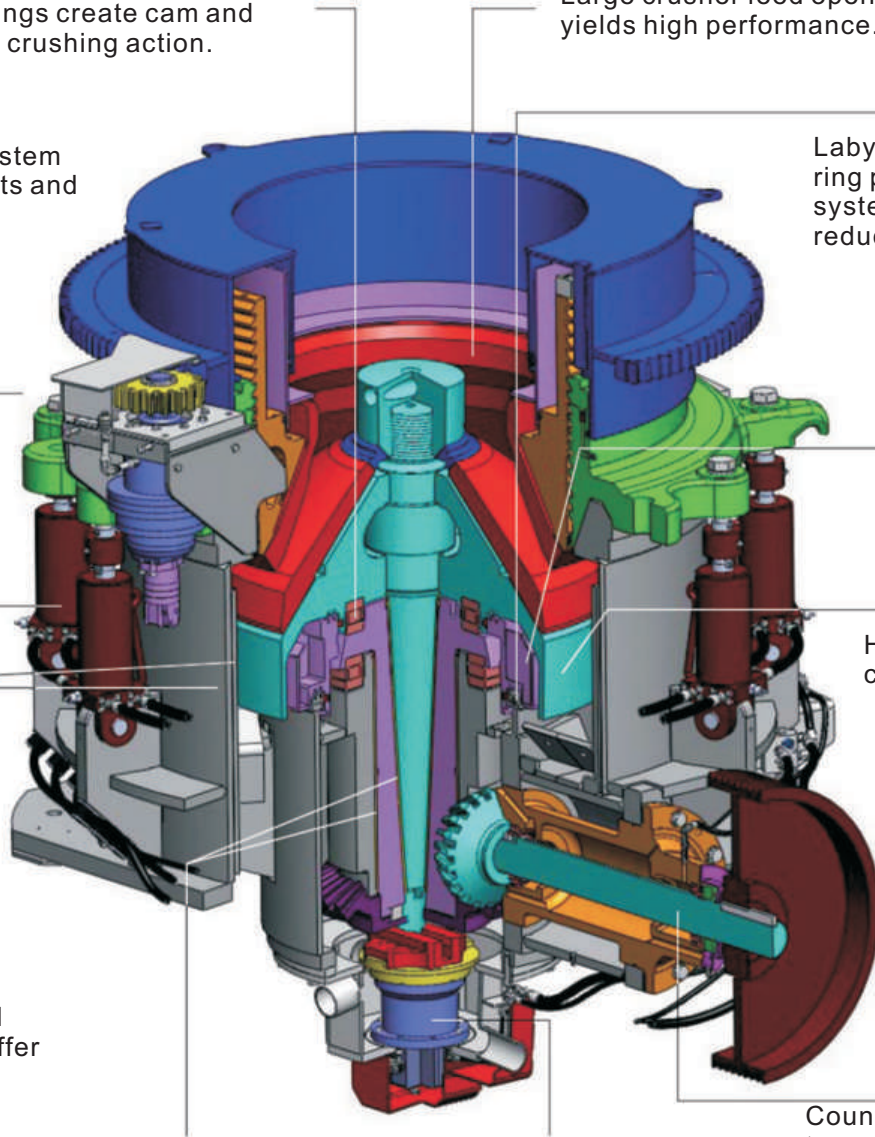
Easily replaceable frame liner, frame-arm liner and countershaft box liners offer decades of protection.

Head skirt protects counterweights and seals.

Long inner and outer bronze sleeves allow radial crushing forces to be distributed over a wide area.

Optional hydraulic anti-spin system reduces manganese liner wear, requires no resetting or maintenance.

Countershaft assembly uses tapered bearings to reduce end play and extend gear life.



## The Advantages and Benefits of Cone Crushers:

This cone crusher is suitable for crushing various kinds of ores and rocks with medium over hardness and it has the features of reliable structure, high production efficiency, convenient adjustment and

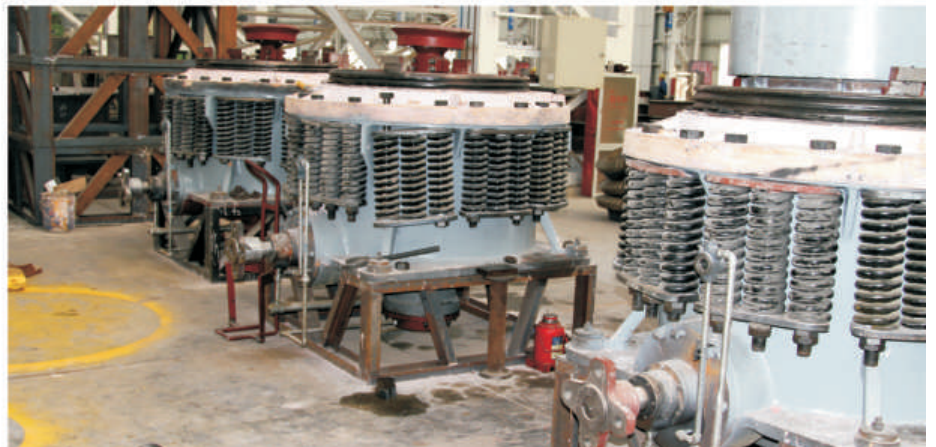
economic use. It adopts two sealing means: dry oil and water to separate stone powders and lubrication grease, thus ensuring reliable work of the machine.



## Features

When some foreign matters that cannot be crushed go into the crushing chamber or the machine is overloaded due to some reasons, the spring protection system of cone crusher will increase the discharging mouth and the foreign matters will be discharged from the crushing chamber, thus realizing protection. If the foreign matters are stuck at the discharging mouth, the spring protection system will start the chamber cleaning system and continue to increase the

discharging mouth, so that the foreign matters can be discharged from the crushing chamber of cone crusher. Under the function of the spring, the discharging mouth will be automatically reset and cone crusher will resume normal work. This series of cone crusher is divided into three types, namely coarse cone crusher, medium cone crusher and fine cone crusher and the customers can choose different type according specific needs.



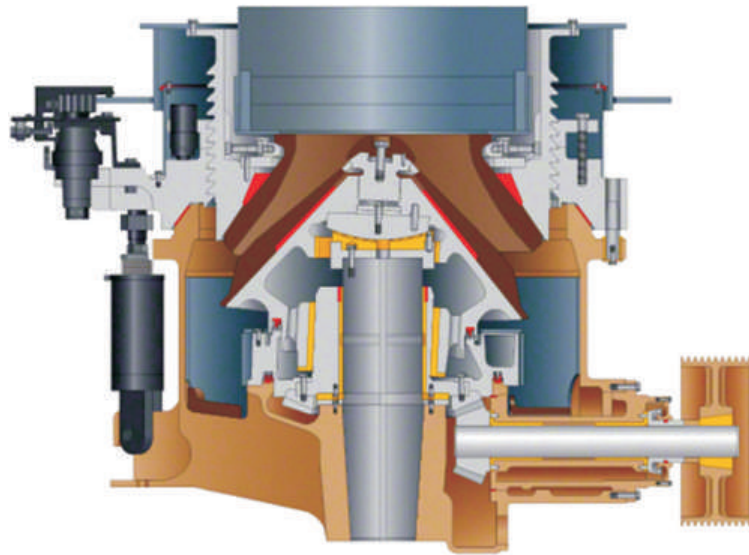
## Characteristics:

Processing capacity: 12-1000t/h

Discharge opening: 3-60mm

Feeding size: 35-300mm

Applied material: barite, marble, talcum, calcite, dolomite, fluorite, kaoline, coal, gypsum.



## Working principle:

When cone crusher begins to work, the electro motor drives the eccentric sleeve through the spring coupling, drive shaft and a pair of angle gear, so that the crushing wall of cone crusher gets close to and then gets away from the surface of the rolling mortar wall fixed on the adjusting sleeve, and the ores inside the crushing chamber will be constantly impacted, squeezed and bent to be crushed.

## Technical data :

Model	Diameter of crushing cone (mm)	Max feeding size (mm)	Width of discharge opening (mm)	Processing capacity (t/h)	Motor power (kw)	Swing frequency of main shaft	Weight (kg)	Dimensions (L×W×H) (mm)
PYB	600	65	12-25	40	61	356	5	2234×1370×1675
PYD		35	3-13	12-23			5.5	2234×1370×1675
PYB	900	115	15-50	50-90	55	333	11.2	2692×1640×2350
PYZ		60	5-20	20-65			11.2	2692×1640×2350
PYD		50	3-13	15-50			11.3	2692×1640×2350
PYB	1200	145	20-50	110-168	110	300	24.7	2790×1878×2844
PYZ		100	8-25	42-135			25	2790×1878×2844
PYD		50	3-15	18-105			25.3	2790×1878×2844
PYB	1750	215	25-50	280-480	160	245	50.3	3910×2894×3809
PYZ		185	10-30	115-320			50.3	3910×2894×3809
PYD		85	5-13	75-230			50.2	3910×2894×3809
PYB	2200	300	30-60	59-1000	280-260	220	80	4622×3302×4470
PYZ		230	10-30	200-580			80	4622×3302×4470
PYD		100	5-15	120-340			81.4	4622×3302×4470



# HXJQ<sup>®</sup>

China Largest Mining Machinery  
Manufacturer



- **Pre-sale services: enthusiasm**

We provide you with the prophase plan, process flow design and manufacturer equipment according to your special demand.

- **Sale services: servant**

Send technicians to the jobsite for guiding the installation and adjustment, training operators and finishing the check and accept together with you.

- **After-sale services: faithfulness**

To establish long term friendship, we will regularly pay return visit to customers. Supplying technique, building design, instruction , installation